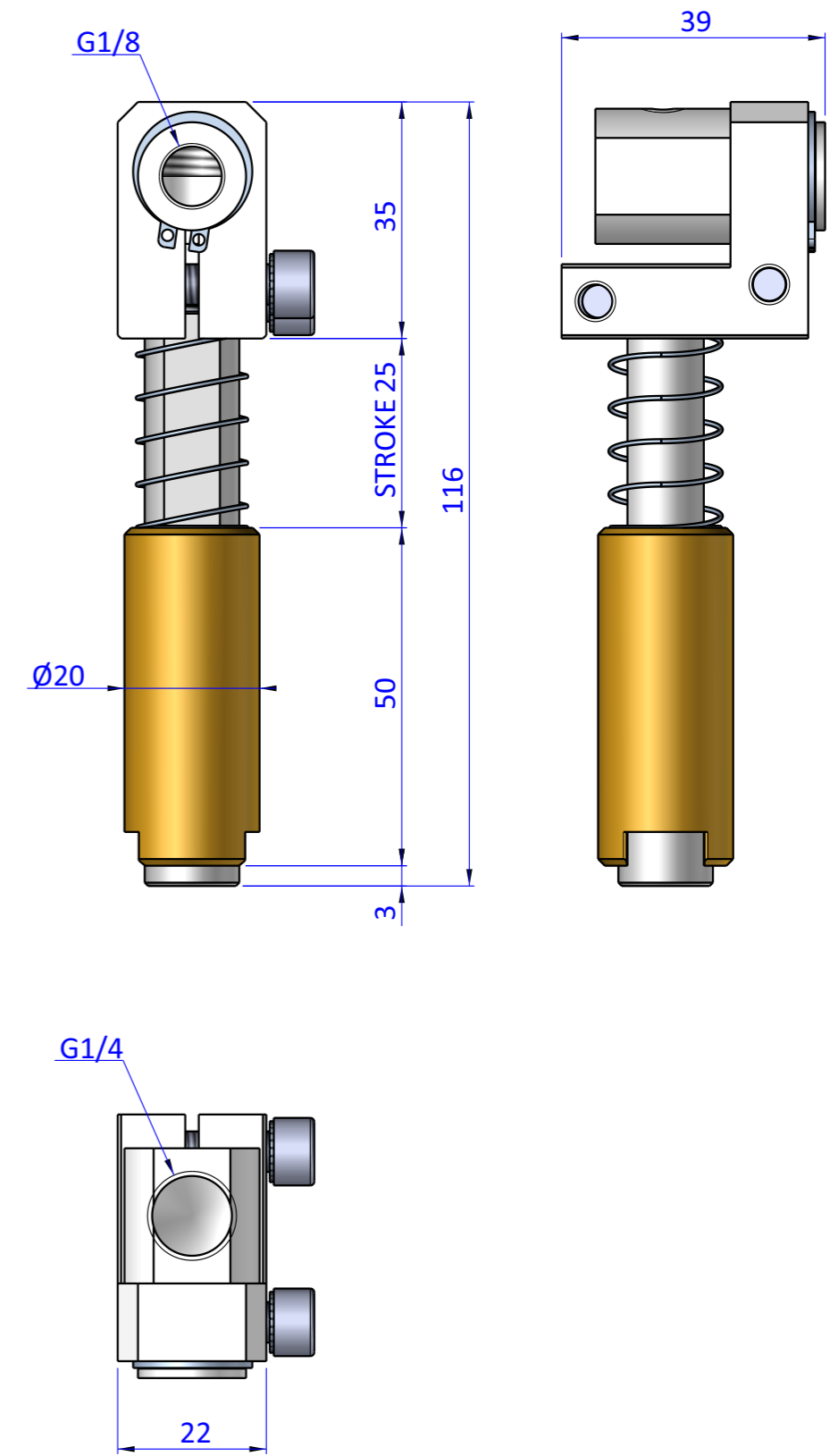
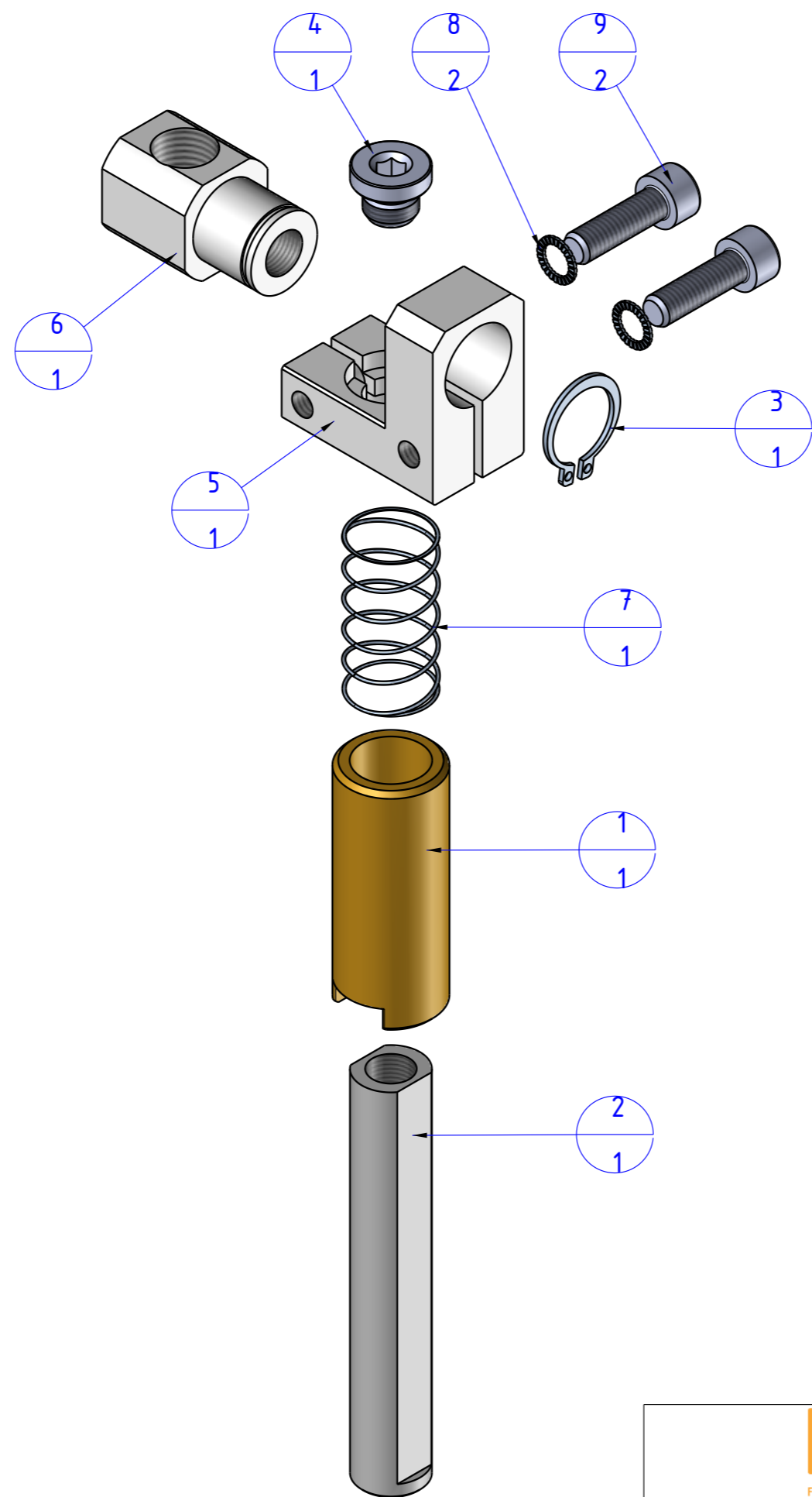



THE PROPERTY OF THE DRAWING IS ESTABLISHED BY LAW. IT IS FORBIDDEN TO PRODUCE OR SHOW IT TO THIRD PART. WITHOUT A WRITTEN AGREEMENT.

Item	Name	Q.ty
1	05.02.001.03	1
2	05.02.001.07	1
3	A.ELA16	1
4	CA.08.14.014	1
5	GG.S.01.03	1
6	GG.S.02.03	1
7	M.16x35	1
8	R.6.SCH	2
9	V.TCE6x20	2



Format A3  
UNI 936-76

 <b>FPS</b> FPSERVICES AUTOMATION		DESIGNED FROM		REVIEW
		FPS Automation		A
GENERAL TOLERANCE		DATE		WEIGHT
UNI - ISO 2768		09/04/2020		0,197kg
CLASSE f		CODE		
		CA.GGS201425		CA.GGS201425